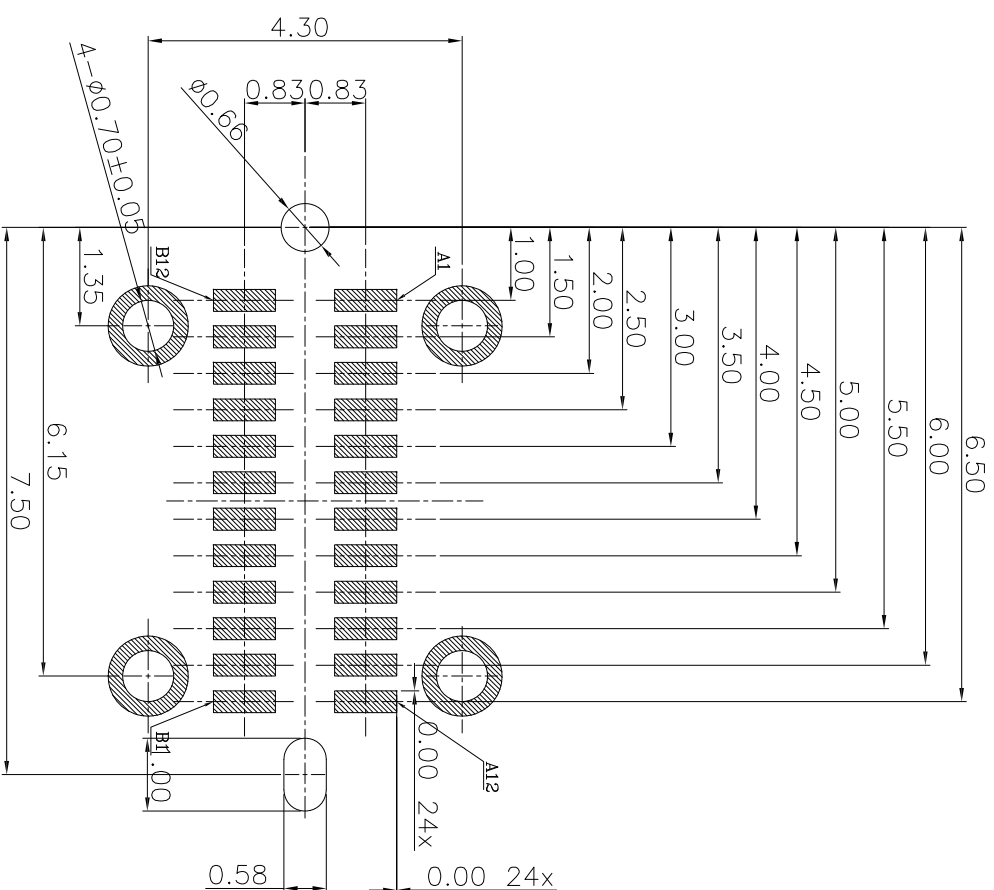
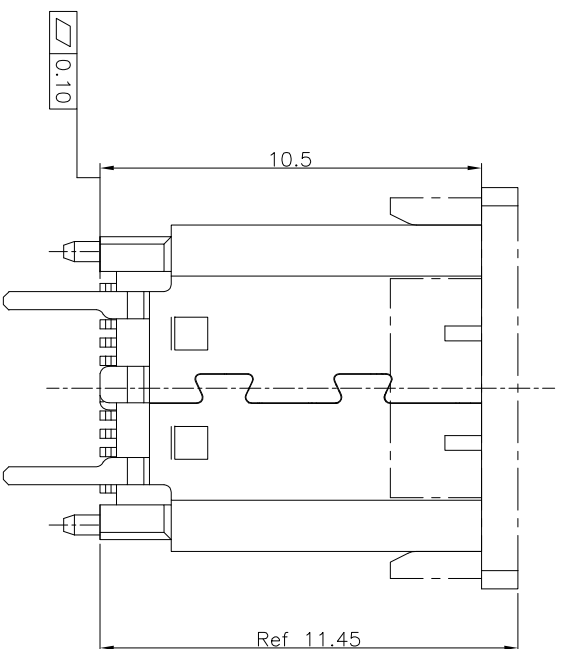
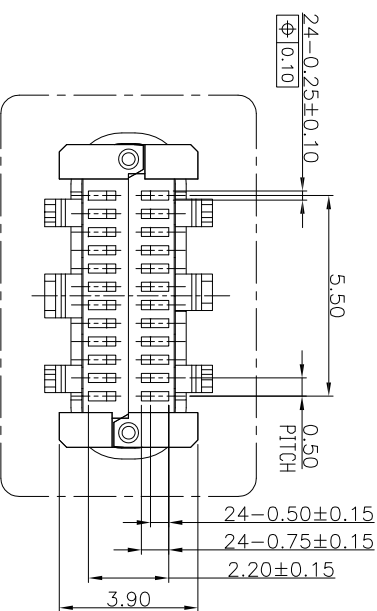
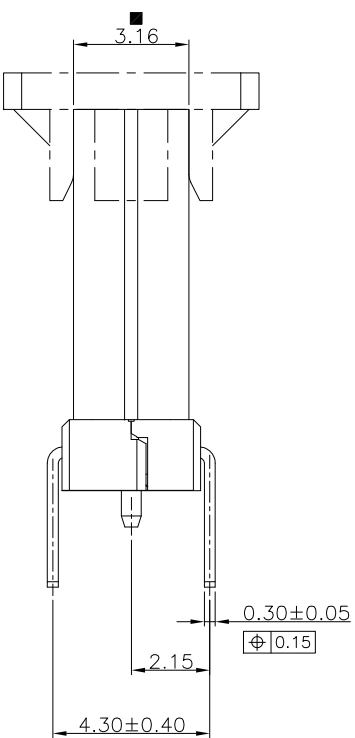
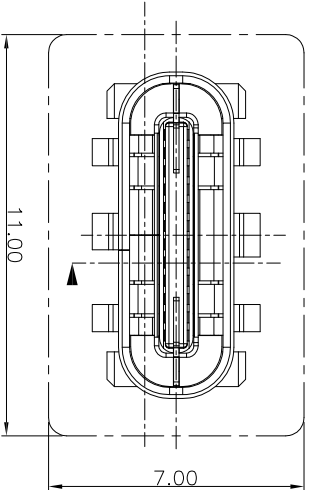
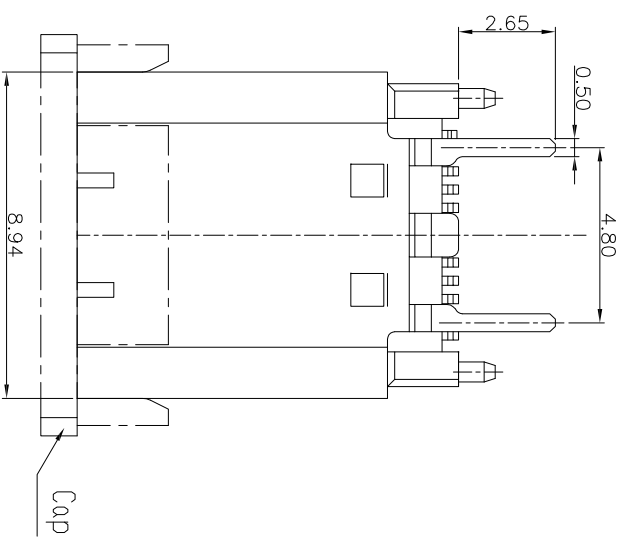


USB TYPE-C FULL-FEATURED RECEPTACLE INTERFACE PIN ASSIGNMENTS

Pin Name	Signal Name	Description	Pin Name	Signal Name	Description
A1	GND	Ground return	B12	GND	Ground return
A2	SSTX01	Positive half of first SuperSpeed TX differential pair	B11	SSRX01	Positive half of first SuperSpeed RX differential pair
A3	SSTX01	Negative half of first SuperSpeed TX differential pair	B10	SSRX01	Negative half of first SuperSpeed RX differential pair
A4	VSS	Bus Power	B9	VSS	Bus Power
A5	CC1	Configuration Channel	B8	SSD2	Slideband (Use SBU)
A6	Dp1	Positive half of the USB 2.0 differential pair-Position 1	B7	Dn2	Positive half of the USB 2.0 differential pair-Position 1
A7	Dn1	Negative half of the USB 2.0 differential pair-Position 1	B6	Dp2	Negative half of the USB 2.0 differential pair-Position 1
A8	SR01	Slideband (Use SBU)	B5	CC2	Configuration Channel
A9	VSS	Bus Power	B4	VSS	Bus Power
A10	SSRX02	Negative half of second SuperSpeed RX differential pair	B3	SSTX02	Negative half of second SuperSpeed TX differential pair
A11	SSRX02	Positive half of second SuperSpeed RX differential pair	B2	SSTX02	Positive half of second SuperSpeed TX differential pair
A12	GND	Ground return	B1	GND	Ground return

- NOTES:
- MATERIAL: MOLDING: LCP UL94 V-0 CONTACT: COPPER ALLOY. GOLD PLATING ALL OVER 50u" NICKEL AND 100u" IN ALL OVER 50u" NICKEL ON SOLDER AREA SHELL: SUS304-H,T=0.30±0.03mm 50u" NICKEL PLATING OVER ALL. SHILD: SUS304-H,T=0.12±0.03mm
 - MECHANICAL: INSERTION: 5~20N. EXTRACTION: 8~20N. DURABILITY: 10000 CYCLES
 - ELECTRICAL: CURRENT: 5A MIN FOR VBUS; 0.25A MIN FOR OTHER. VOLTAGE: 5VAC MAX WITHSTANDING VOLTAGE: 100V AC. CONTACT RESISTANCE: 40mΩ MAX. INSULATION RESISTANCE: 100MΩ MIN. ENVIRONMENTAL TEMPERATURE RANGE -55°C ~ +85°C

RECOMMENDED P.C.B. LAYOUT
TOLERANCE UNSPECIFIED ±0.05mm



30u"	C023934-02
G/F	C023934-01
GOLD PLATED	PART NUMBER

CHUFON TECH CO; LTD

USB C Type Female Vertical SMT

THIS DRAWING IS A CONTROLLED DOCUMENT.

DIMENSIONS:	MM	TOLERANCES UNLESS OTHERWISE SPECIFIED:
0	PLC	± -
1	PLC	± 0.30
2	PLC	± 0.20
3	PLC	± 0.15
4	PLC	± - ±.3
FINISH		SEE NOTE
MATERIAL		SEE NOTE

DMN	G.W. YANG	31MAY2018
CHK	ALEX LIN	31MAY2018
APVD	ALEX LIN	31MAY2018
PRODUCT SPEC		
QUALIFICATION TEST REPORT		
WEIGHT		
CUSTOMER DRAWING		

NAME	CHUFON TECH CO; LTD
SIZE	A3
CAGE CODE	00779
DRAWING NO	C023934
RESTRICTED TO	—
SCALE	—
SHEET	1 OF 1
REV	AO